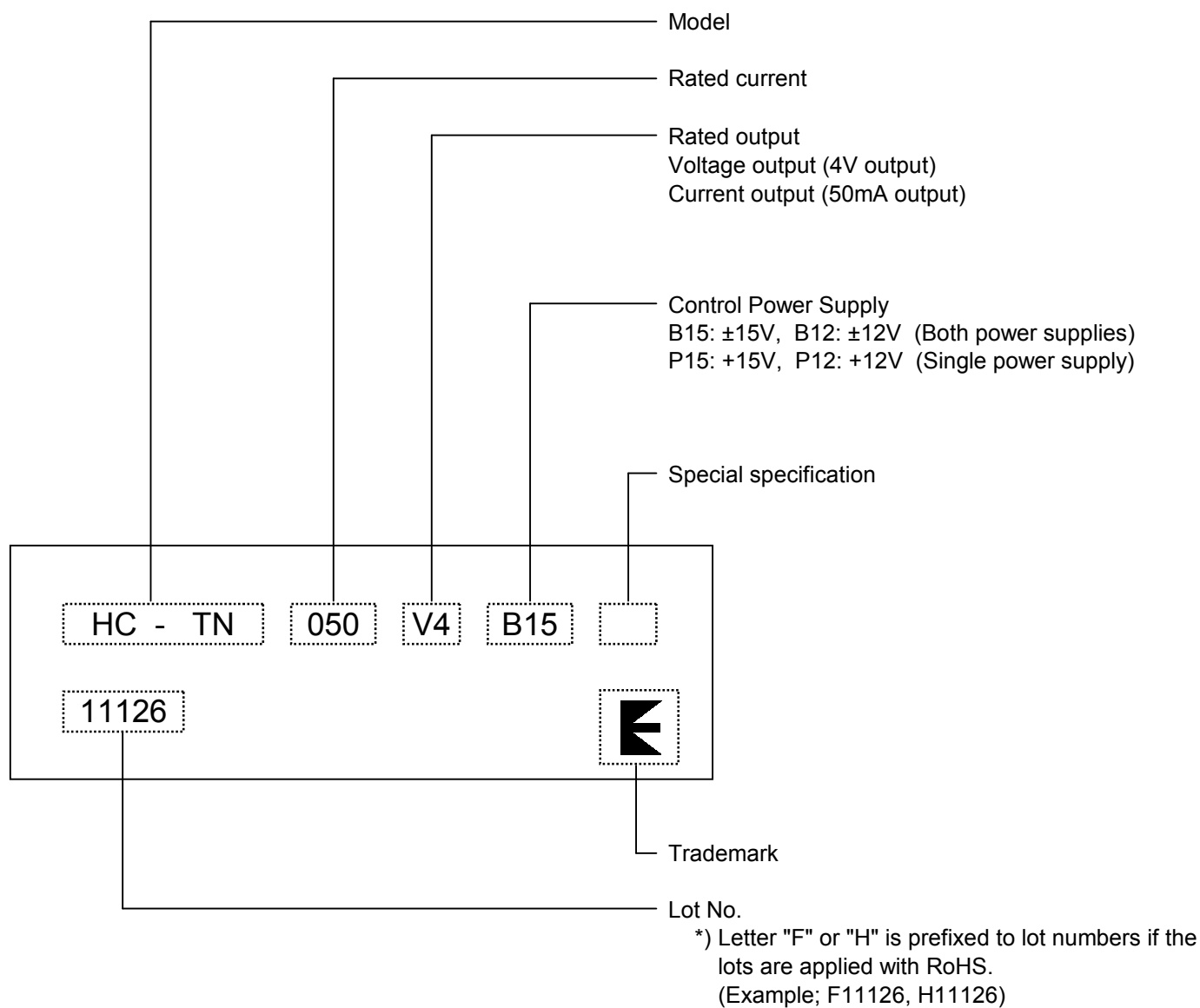


## Product marking



Standard max. rating	Input display	Example of display
Series of 70A or less	To the first decimal place	5A...05    37.5A...375    70A...70
Series of over 70A	000 ~ 999	70A...070    100A...100
1000A or more	E and first two digits	1000A...E10    3500A...E35    5000A...E50