

NEW PRODUCT NEWS

Open Loop

Release scheduled for May 2020

HP-PN series



Rated Current 50A ~ 600A

- Potting specification product excellent in environment resistance performance
- 5V single power supply, voltage output specifications
- High precision new current sensor for industrial devices by digital adjustment (output, offset, temperature correction)
- Built-in offset cancel circuit
- Output and offset voltage are compatible with ratiometric/non-ratiometric



Applications

Inverters, Servo drivers, NC machine tools, Power supply equipment

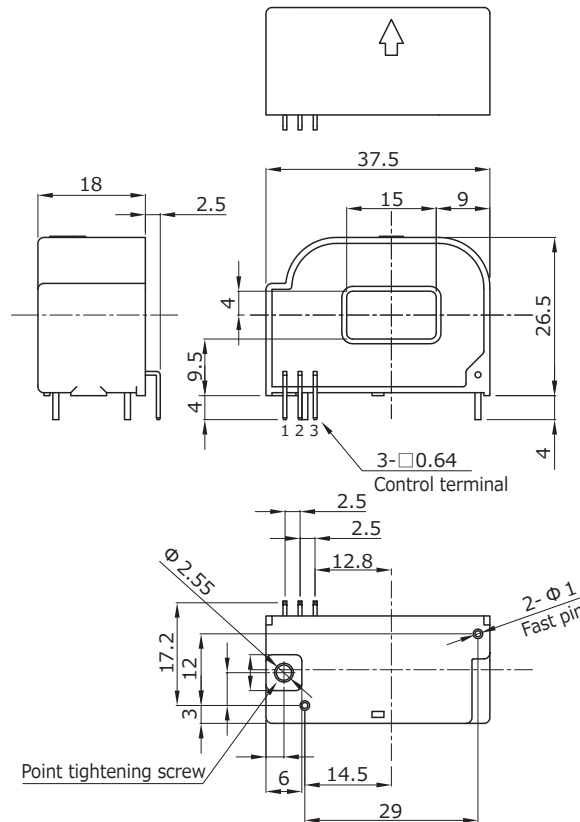
* Please note that performance and characteristics of the product may be subject to change without prior notice.

Dimensions (mm)

Terminal

- 1 ... Output
- 2 ... GND
- 3 ... Vcc(+5V)

Weight: 35g



General tolerance: ± 0.5