

# NEW PRODUCT NEWS

Open Loop

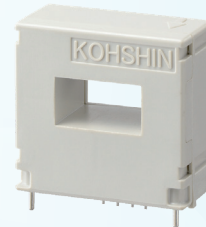
## HC-PGD series

**Rated Current** 50A ~ 400A

Release scheduled for July 2019

- Even better noise resistance characteristics than conventional products\*
- Smaller and lighter in weight than conventional products\*
- European standard compliant insulation enhancement product

\* Comparison with our conventional HC-PG series products



**Applications** Inverters, Servo drivers, Power supply equipment,  
Uninterruptible power supply (UPS), Welders

Open Loop

## HC-TNG series

**Rated Current** 50A ~ 800A

Release scheduled for August 2019

- Even better noise resistance characteristics than conventional products\*
- Chassis mounting type (HC-TNR) is included in the lineup in addition to bus bar mounting type
- Low-profile realized to our conventional products\*
- Vibration resistance performance improved with lock type connector adoption
- European standard compliant insulation enhancement product

\* Comparison with our conventional HC-TN series products



**Applications** Inverters, Servo drivers, Power supply equipment,  
Uninterruptible power supply (UPS), Welders

<Bas bur attaching type>

Open Loop

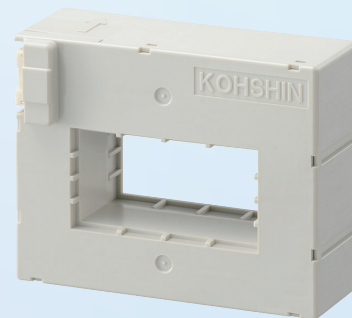
## HC-MC series

**Rated Current** 300A ~ 2000A

Release scheduled for September 2019

- Even better noise resistance characteristics than conventional products\*
- Chassis mounting type (HC-MCL) is included in the lineup in addition to bus bar mounting type
- Vibration resistance performance improved with lock type connector adoption
- European standard compliant insulation enhancement product

\* Comparison with our conventional HC-ML series products



**Applications** Inverters, Servo drivers, Power supply equipment,  
Uninterruptible power supply (UPS), Welders

<Bas bur attaching type>

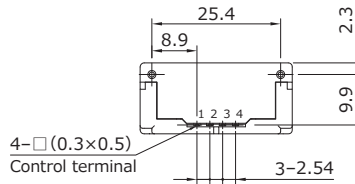
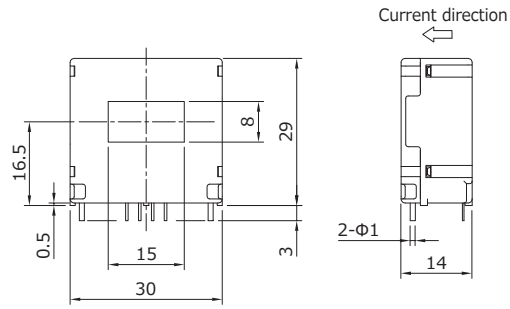
\* Please note that performance and characteristics of the product may be subject to change without prior notice.

## HC-PGD

Terminal

- 1 ... -Vc
- 2 ... GND
- 3 ... +Vc
- 4 ... Output

Weight: 26g



General tolerance: ± 0.5

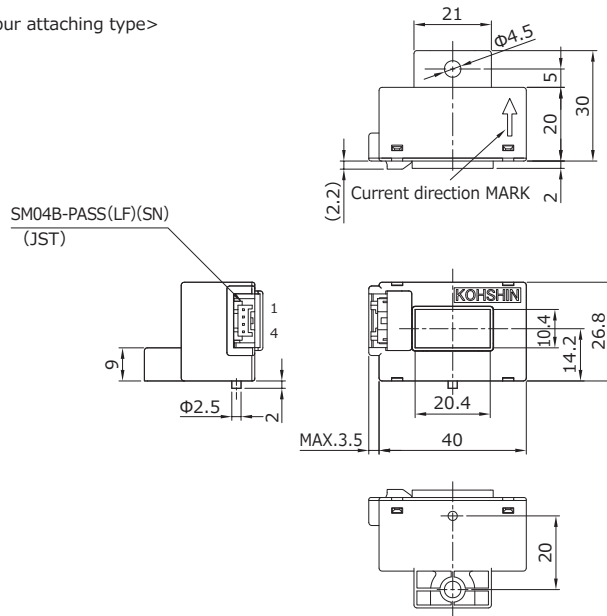
## HC-TNG

Terminal

- 1 ... +Vc
- 2 ... -Vc
- 3 ... Output
- 4 ... GND

Weight: 39g

<Bas bur attaching type>



General tolerance: ± 0.5

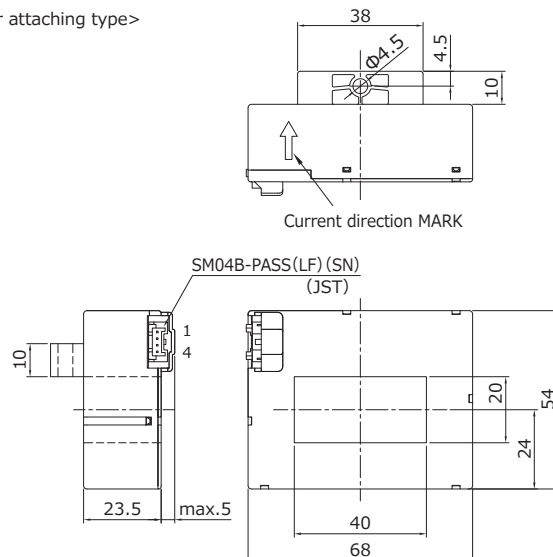
## HC-MC

Terminal

- 1 ... +Vc
- 2 ... -Vc
- 3 ... Output
- 4 ... GND

Weight: 175g

<Bas bur attaching type>



General tolerance: ± 0.5