

CURRENT SENSORS

NEW PRODUCT NEWS

Open Loop

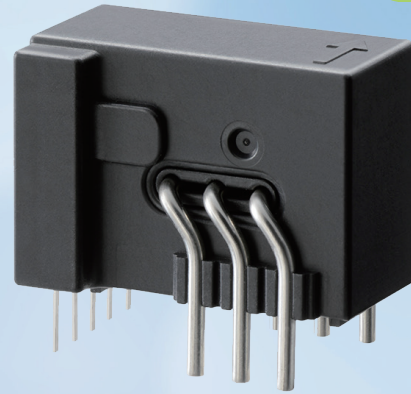
Release scheduled for October 2018

HP-PDL series



Rated Current **5A ~ 50A**

- Downsizing and high precision realized with our very own designed and developed hall ICs
- Built-in offset cancel circuit
- High precision new current sensor for industrial devices by digital adjustment (output, offset, temperature correction)
- Input/output reference voltage (Vref) availability
- High speed response, high noise resistance
- 5V single power supply, voltage output specifications



Applications

Inverters, Servo drivers, Power supply equipment, Uninterruptible power supply (UPS), Welders, Photovoltaic generation

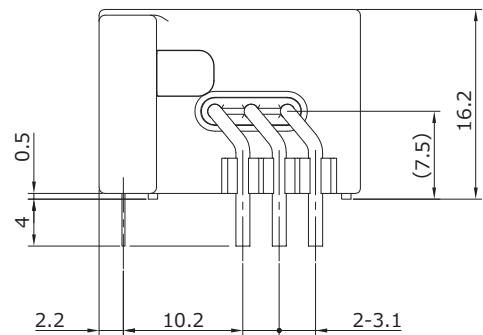
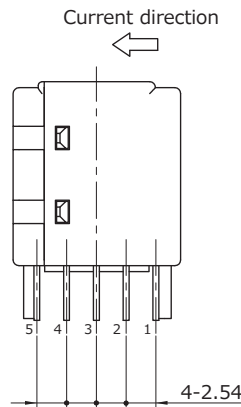
* Please note that performance and characteristics of the product may be subject to change without prior notice.

◎ Dimensions (mm)

Terminal

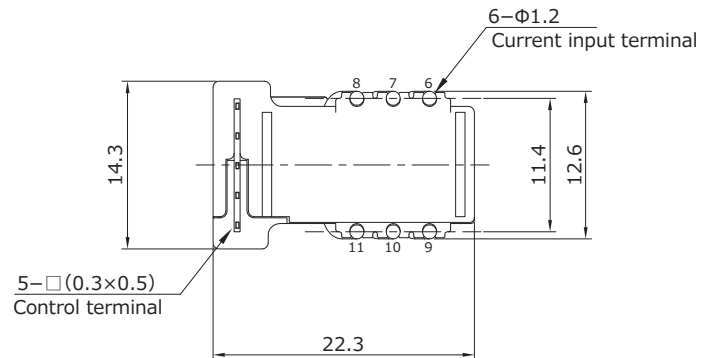
- 1 ... NC
- 2 ... Vcc(+5V)
- 3 ... Output
- 4 ... Reference input/output voltage (Vref)
- 5 ... GND
- 6 ~ 8 ... (+) ioutput
- 9 ~ 11 ... (-) ioutput

Weight: 9g



How to connect current input terminal

Input current	How to connect board side	Turns
5A - 10A		3T
10A - 50A		1T



General tolerance: ± 0.5