

NEW PRODUCT NEWS

Open Loop

Release scheduled for November 2015



HC-AK series

Rated Current 200A ~ 500A

- Small and thin design
- Bolt-on fixing
- Wire harness connection
- 5V single power supply
- Output specification +2.5V±2V

Applications

HEV inverters, EV inverters,
Current detection in on-board devices



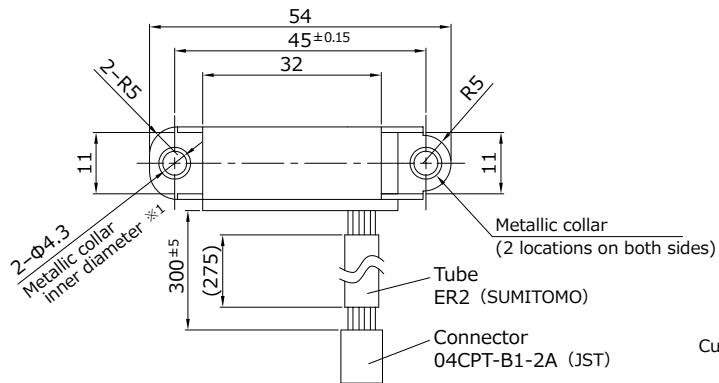
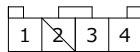
* Please note that performance and characteristics of the product may be subject to change without prior notice.

© Dimensions (mm)

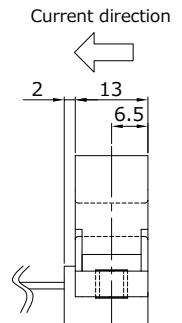
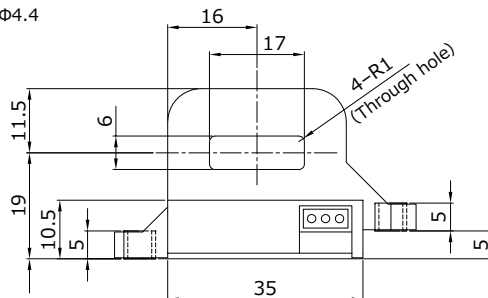
Terminal

- 1 ... Vcc
- 3 ... Output
- 4 ... GND

Weight: 40g



※1 Pin gauge
Go Φ 4.3, No Go Φ 4.4



General tolerance: ± 0.5