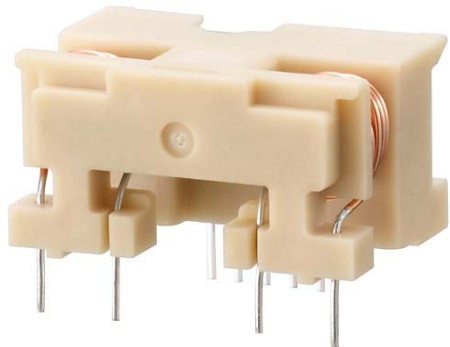




HC-PRC



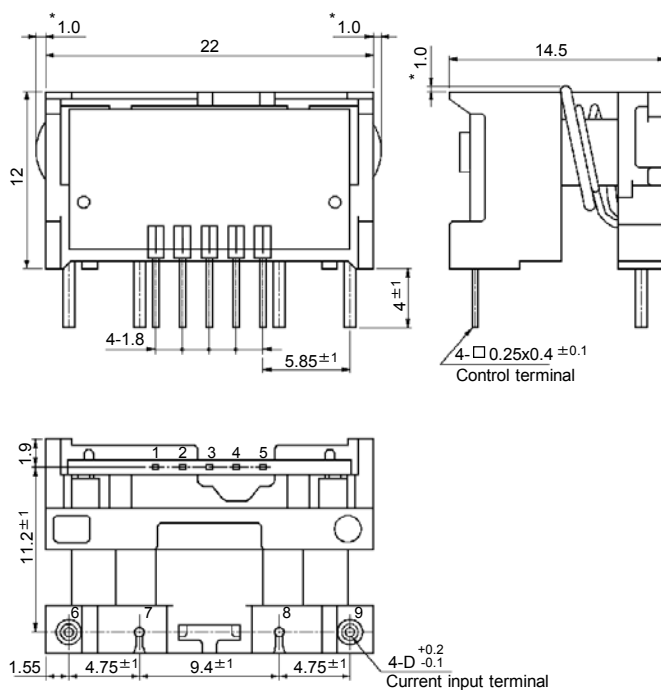
- Rated current 3A ~ 20A
- Well isolated for European Standards
- Compact design: height has been kept down to 12.0 mm
- Single-power supplies also available
- Two circuits can be measured at the same time

Applications

Inverters, Servo drivers, NC machine tools

Dimensions

(mm)



Dimensions of Current Input Terminals

Size of primary winding	Width D
Φ0.45	Φ0.45
Φ0.6	Φ0.6
Φ0.9	Φ0.9

Note) The dimensions marked with \* are protruded areas of the primary winding

- Terminal No.
- 1 - (+) terminal
  - 2 - (-) terminal
  - 3 - Output1
  - 4 - Output2
  - 5 - GND
  - 6 - (+) input
  - 7 - (-) input
  - 8 - (+) input
  - 9 - (-) input

Weight : 5g

General tolerance: ±0.5

Specification

Ta=25°C

Type	HC-PRC03V4B15	HC-PRC05V4B15	HC-PRC10V4B15	HC-PRC20V4B15
Rated current [ If ]	±3A	±5A	±10A	±20A
Continuously flowing DC current	±3.5A	±3.5A	±8.8A	±8.8A
Saturation current [ Is ]	±9A	±15A	±30A	±45A
Linearity limits	0~±7.5A	0~±12.5A	0~±25A	0~±37.5A
Size of primary winding	Φ0.45	Φ0.45	Φ0.9	Φ0.9
Turns	10	6	3	2
Rated output [ Vh ]	V0+4V±1.5% (RL=10kΩ)			
	V0-4V±1.5% (RL=10kΩ)			
Residual output [ Vo ]	Within ±100mV			
Output linearity	Within ±1%			
Response time	Within 10μs (at di/dt=If/μs)			
Response performance	Within 10%			
Hysteresis voltage range	Within 120mV			
Output Temp. Coef.	Within ±0.1%/°C			
Residual output Temp. Coef.	Within ±3mV/°C			
Control power supply	±15V±5%			
Consumption current	Within 40mA			
Operating Temp.	-10°C~+80°C			
Storage Temp.	-15°C~+85°C			
Dielectric withstand voltage	2500V AC 50/60Hz 1minute			
Insulation resistance	Not less than 500MΩ 500V DC			

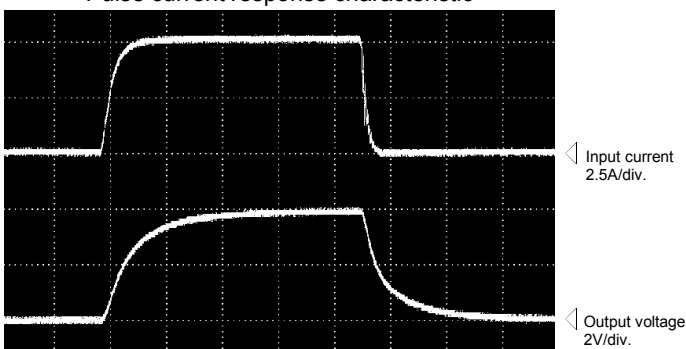
Note1) The indicated residual output is the one after the core hysteresis is removed.

Characteristics chart

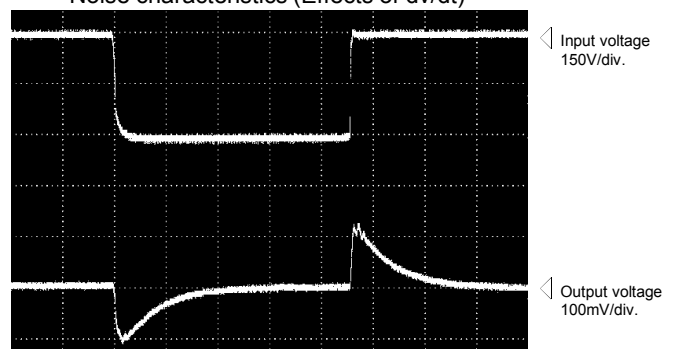
HC-PRC05V4B15

Time base: 5μs/div.

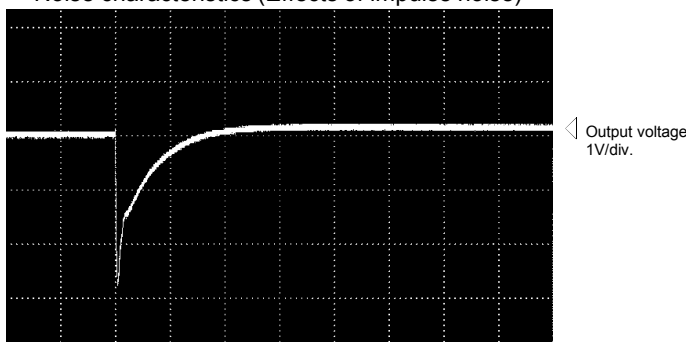
Pulse current response characteristic



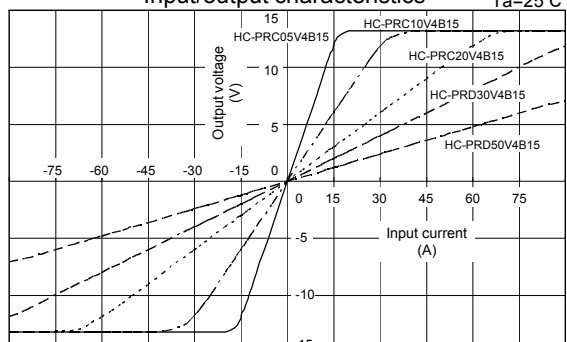
Noise characteristics (Effects of dv/dt)



Noise characteristics (Effects of impulse noise)



Input/output characteristics



Note: The marks "◁" means 0V or 0A.