

HA-B, HA-C

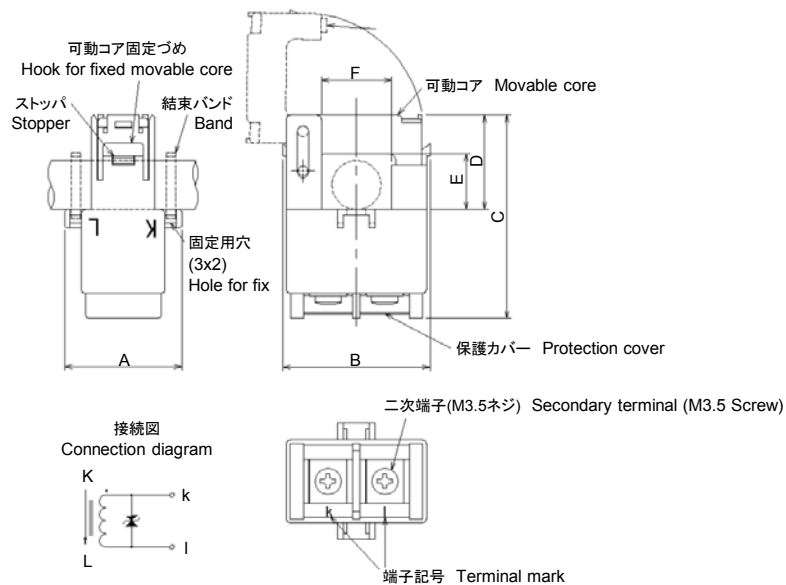


- 定格一次電流値 … 50A ~ 250A
Rated primary current … 50A ~ 250A
- 比誤差, 位相誤差のばらつきが小さく電力計測に最適
Most suitable for energy measurement which is more less dispersion in ratio error and phase displacement
- ワンタッチクランプ方式で既設の配電盤への取り付けが容易
Simple mounting for exiting panel which is clamp type
- 出力保護回路内蔵
Internal output protection circuit

用途 Applications
電力計測装置
Energy measurement unit

外形寸法図 Dimensions

(mm)



形名	A	B	C	D	E	F	質量 (g)
HA-B050-16	31.5	39.6	55.2	25.7	15.2	18.8	65
HA-B100-33							
HA-C250-66	36.5	44	66	32.5	22	24	104

一般公差: ±0.5
General tolerance: ±0.5

電気特性 Specification

Ta=25°C

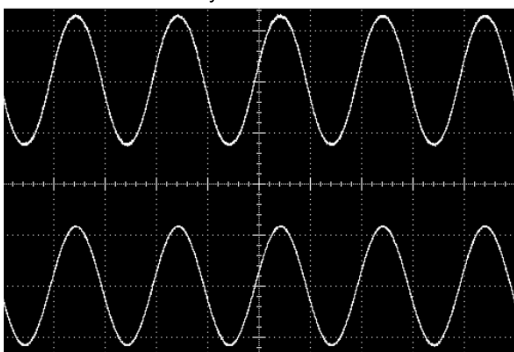
形名 (Type)	HA-B050-16	HA-B100-33	HA-C250-66
定格一次電流 (Rated primary current) [If]	50Arms	100Arms	250Arms
測定範囲 (Measuring bound)	2.5~50Arms	5~100Arms	12.5~250Arms
定格周波数 (Frequency)	45~65Hz		
飽和電流 (Saturation current) [Is]	140Arms		350Arms
定格二次電流 (Rated secondary current)	16.67mArms	33.33mArms	66.67mArms
比誤差 (Ratio error)	±1.2% (RL ≤ 10Ω)		
位相差ばらつき (Dispersion in phase displacement)	±40minute (RL ≤ 10Ω)		
使用温度範囲 (Operating Temp.)	-10°C~+55°C		
保存温度範囲 (Storage Temp.)	-20°C~+60°C		
耐電圧 (Dielectric withstand voltage)	2500V AC 1minute		
絶縁抵抗 (Insulation resistance)	Not less than 10MΩ 500V DC		
絶縁距離 (Insulation distance)	Not less than 8mm		
その他 (Others)	出力保護回路内蔵 Internal output protection circuit		

特性図 Characteristics chart

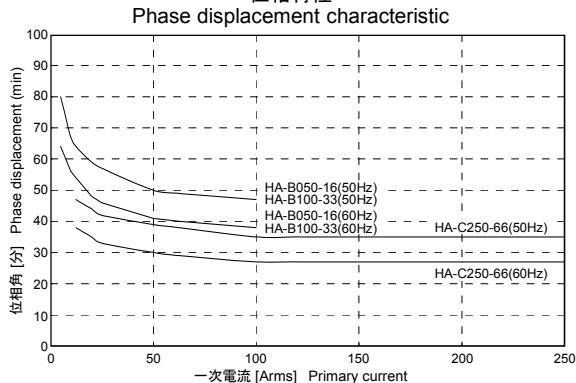
HA-B100-33

時間軸 Time base: 10ms/div.

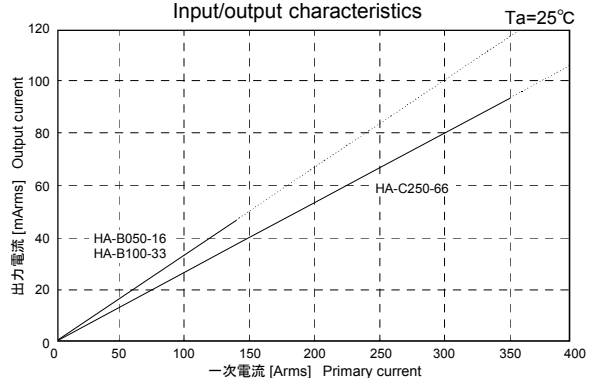
二次電流波形
Secondary current waveform



位相特性
Phase displacement characteristic



入出力特性
Input/output characteristics



注: 実線は連続通電可能範囲を示します。
Note: The solid lines indicate the possible range of a continuous flow of electricity.

注: "◁"は0Vまたは、0Aを示します。The marks "◁" means 0V or 0A.