

HA-A



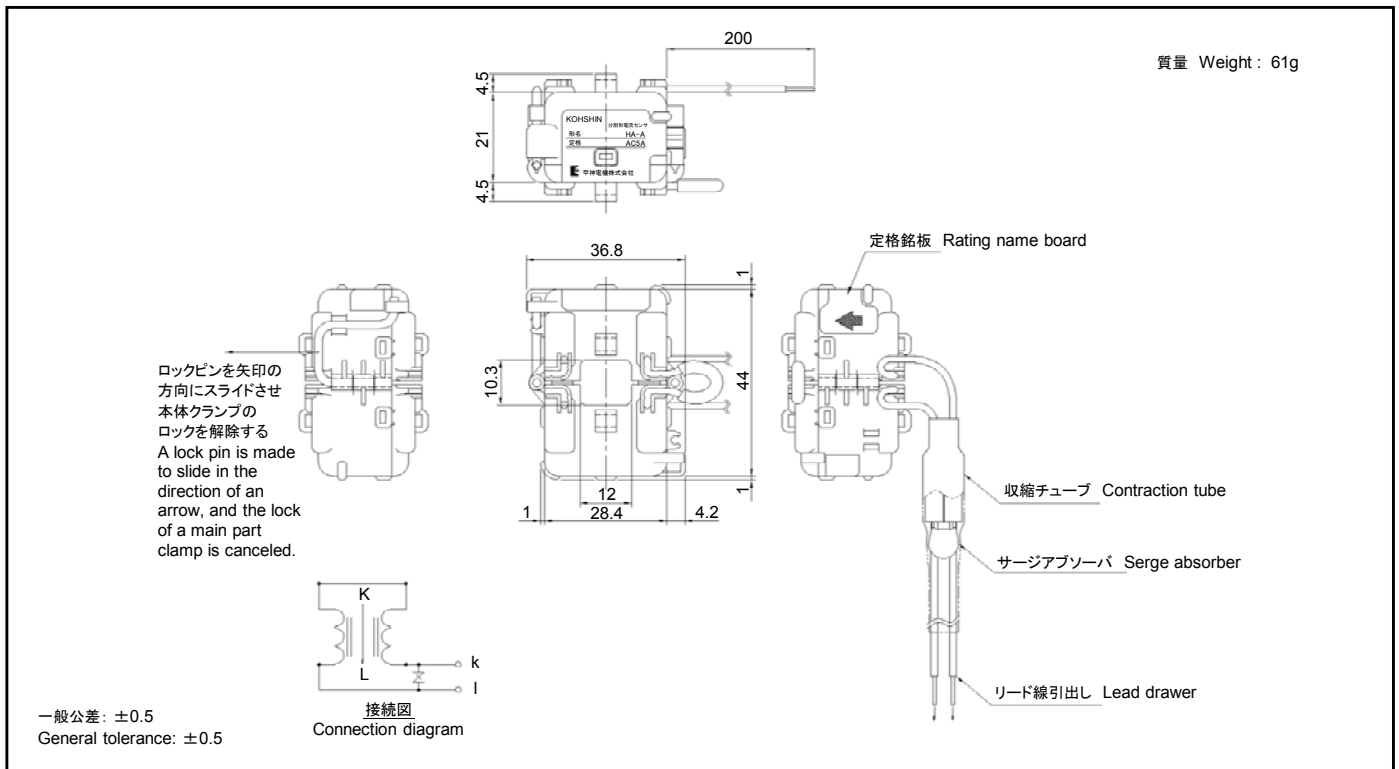
用途 Applications

電力計測装置, 機器の通電検出, 信号検出
Energy measurement unit, Transmit detection of apparatus, Signal detection

- 定格一次電流値 … 5A
Rated primary current … 5A
- 比誤差, 位相誤差のばらつきが小さく電力計測に最適
Most suitable for energy measurement which is more less dispersion in ratio error and phase displacement
- 対称形分割コア採用により、外部磁界の影響を受けにくい
Symmetrical divided core prevents influence of external magnetic field
- 周波数特性に優れ、パルス電流も測定可能
Excellent frequency characteristics enabling pulse current measurement
- ワンタッチクランプ方式で既設の配電盤への取り付けが容易
Simple mounting for exiting panel which is clamp type
- 出力保護回路内蔵
Internal output protection circuit

外形寸法図 Dimensions

(mm)



電気特性 Specification

Ta=25°C

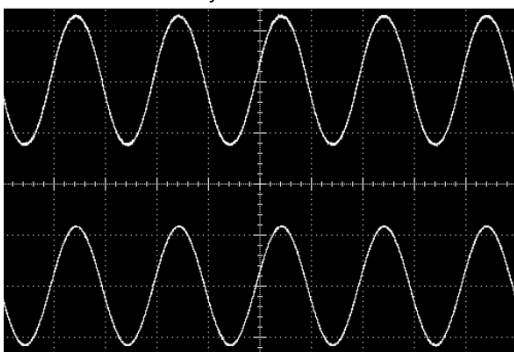
形名 (Type)	HA-A005-016
定格一次電流 (Rated primary current) [If]	5A
測定範囲 (Measuring bound)	0.25~5Arms
定格周波数 (Frequency)	45~65Hz
飽和電流 (Saturation current) [Is]	25A
定格二次電流 (Rated secondary current)	1.67mArms
比誤差 (Ratio error)	±1% (RL=200Ω)
位相差ばらつき (Dispersion in phase displacement)	±45minute (0.1If~If RL=200Ω) ±60minute (0.05If RL=200Ω)
使用温度範囲 (Operating Temp.)	-10°C~+55°C
保存温度範囲 (Storage Temp.)	-20°C~+60°C
耐電圧 (Dielectric withstand voltage)	1000V AC 1minute
絶縁抵抗 (Insulation resistance)	Not less than 10MΩ 500V DC
その他 (Others)	出力保護回路内蔵 Internal output protection circuit

特性図 Characteristics chart

HA-A005-016

時間軸 Time base: 10ms/div.

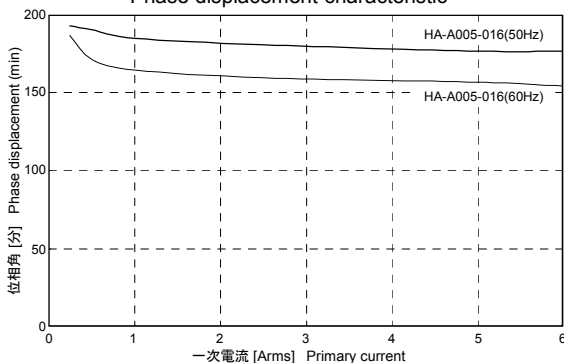
二次電流波形
Secondary current waveform



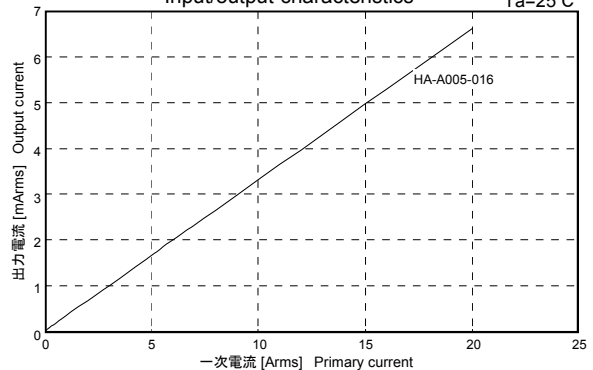
◁ 一次電流
Primary current
5A/div.

◁ 二次電流
Secondary current
2mA/div.

位相特性
Phase displacement characteristic



入出力特性
Input/output characteristics



注: "◁" は0Vまたは、0Aを示します。The marks "◁" means 0V or 0A.